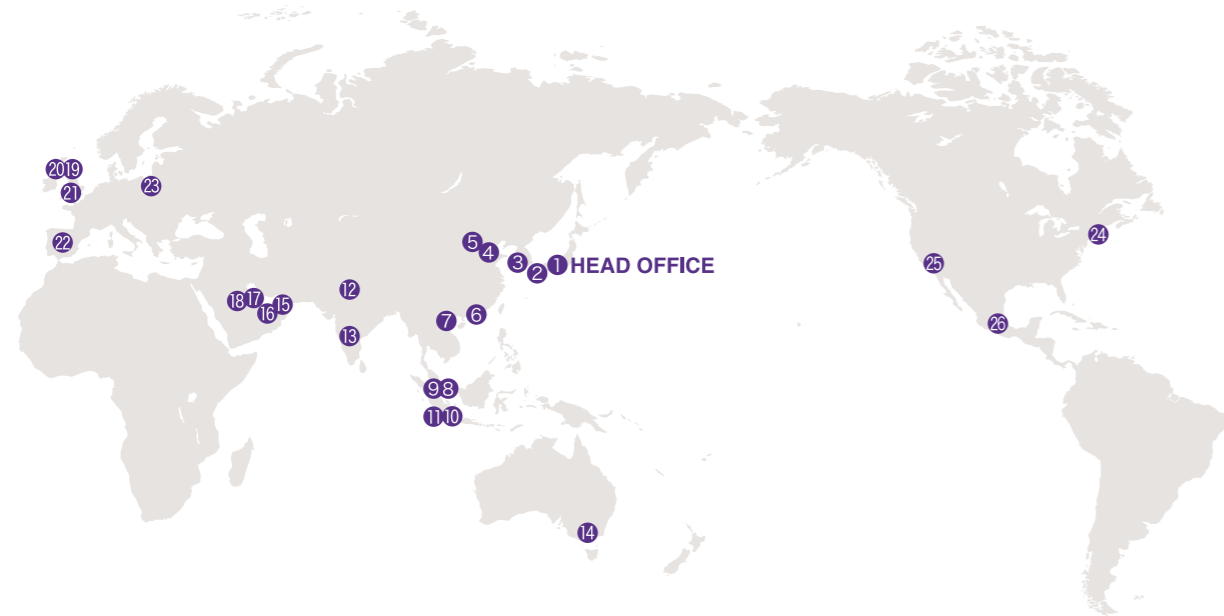


Torishima Pump Global Network



East Asia

① **Torishima Pump Mfg. Co., Ltd.** ■ ■
1-1-8 Miyata-cho, Takatsuki-city, Osaka 569-8660 Japan
Tel : +81-72-690-2308 / Fax : +81-72-690-2329

② **KyushuTorishima Co., Ltd.** ■
9857-13, Ohaza Kawako, Wakagi-cho, Takeo-city, Saga 843-0151 Japan
Tel : +81-954-26-3081 / Fax : +81-954-26-3080

③ **Torishima Pump Mfg. Co., Ltd. Korea Liaison Office**
4F, EC Bldg., Sinsa-dong 506-4, Gangnam-gu, Seoul, 135-887, Republic of Korea
Tel : +82-2-3442-0238 / Fax : +82-2-3442-0242

④ **Torishima Pump (Tianjin) Co., Ltd.** ■ ■
No.9 Gaoxin Road, Wuqing Development Zone, Tianjin, P.R.China PC:301700
Tel : +86-22-59695601 / Fax : +86-22-59695609

⑤ **Torishima Pump Mfg. Co., Ltd. Beijing Office**
Rm707, Building 1, KUNSHA CENTER, No.16 Xinyuanli, Chaoyang District, Beijing, P.R.China PC:100027
Tel : +86-10-84682891 / Fax : +86-10-84682890

⑥ **Torishima (Hong Kong) Ltd.**
Unit A, 21/F., Tower A, Billion Centre, 1 Wang Kwong Road, Kowloon Bay, Kowloon, Hong Kong
Tel : +852-2795-1838 / Fax : +852-2754-3293

South East Asia

⑦ **Torishima (Hong Kong) Ltd. Vietnam Office**
No.76 Bui Thi Xuan Street, Hai Ba Trung District, Hanoi, Socialist Republic of Vietnam
Tel : +84-4-943-7880 / Fax : +84-4-943-7876

⑧ **Torishima Pump Mfg. Co., Ltd. Singapore Office**
82 Toh Guan Road East
#C2-14-4 WaterHub Singapore 608576
Tel : +65-6779-0123 / Fax : +65-6779-6900

⑨ **Torishima Service Solutions Asia Pte.Ltd.** ■
48, Toh Guan Road East, #02-142, Enterprise Hub, Singapore 608586
TEL : +65-6933-8772 / FAX : +65-6933-8777

⑩ **P.T. Torishima Guna Engineering** ■
P.T. Torishima Guna Indonesia ■
Jalan Rawa Sumur Timur No.1 Pulogadung Industrial Estate, P.O.Box 1160, Jakarta, Indonesia
Tel : +62-21-460-3963 / Fax : +62-21-460-3937

⑪ **P.T. Geteka Founindo** ■
JL Pulo Ayang Kav. AA2 Pulogadung Industrial Estate, P.O.Box 1160 JAT, Jakarta 13011 Indonesia
Tel : +62-21-460-3963 / Fax : +62-21-460-3937

South Asia

⑫ **Torishima Pumps India Pvt. Ltd.**
Tower B 1106, Millennium Tower, Sector27 Gurgaon-122002, Haryana, India
Tel : +91-124-4728950 / Fax : +91-124-4728950

⑬ **Torishima Pumps India Pvt. Ltd. Service Division** ■
Plot No.27 B, CandD, Hoskote KIADB Industrial Area, Chokkahalli Village, Kasaba Hobli, Hoskote Taluk, Bangalore-562114, Karnataka, India

Oceania

⑭ **Torishima Australia Pty. Ltd.**
643-645 Glenhunting Road, Caulfield South VIC 3162 Australia
Tel : +61-3-9523-7998

Middle East

⑮ **Torishima Service Solutions FZCO** ■
Plot of Land TP010501 Techno Park-Jebel Ali, PO Box, 37603 Dubai, U.A.E.
Tel : +971-4-880-7344 / Fax : +971-4-880-7354

⑯ **Torishima Pump Mfg. Co., Ltd. Middle East Office**
Office No.901, Deluxe Tower, Delma Street, Al Nahyan Camp Area, P.O.Box 53567, Abu Dhabi, U.A.E.
Tel : +971-2-674-3880 / Fax : +971-2-674-3881

⑰ **Torishima Pump Mfg. Co., Ltd. Qatar Project Office**
Office No.11, 1st Floor, West Corner Centre, Salwa Road-Midmac R/A, P.O.Box 37027 Doha, Qatar
Tel : +974-4450-6915 / Fax : +974-4450-6916

⑱ **Torishima Pump Mfg.Co.,Ltd. Saudi Arabia Office**
P.O.Box 12241-6208, 3202 Al Amir Mohammed Bin Abdulaziz Street (Tahlea Street), Al Olaya, Kingdom of Saudi Arabia
Tel : +966-1-1293-1355

Europe

⑲ **Torishima Europe Ltd.**
Sunnyside Works, Gartsherrie Rd, Coatbridge, Scotland ML5 2DJ
Tel : +44-1236-443951 / Fax : +44-1236-702875

⑳ **Torishima Service Solutions Europe Ltd.** ■
Sunnyside Works, Gartsherrie Rd, Coatbridge, Scotland ML5 2DJ
Tel : +44-1236-442390 / Fax : +44-1236-702875

㉑ **Torishima Europe Projects Ltd.**
Torishima House, Brook Lane, Westbury, Wiltshire, England BA13 4ES
Tel : +44-1373-858143

㉒ **Torishima Europe Ltd. Madrid Office**
Avda, Fuente Nueva 12A, 28703 San Sebastian de los Reyes, Madrid, Spain
Tel : +34-91-002-7541 / Fax : +34-91-284-6901

㉓ **Torishima Europe Ltd. Poland Office**
ul. Pomianowska 7, 03-136 Warszawa, Poland
Tel : +48-604-557-137

North America

㉔ **Torishima Pump Mfg. Co., Ltd. North America East Office**
100 Grove Street, Suite 217, Worcester MA 01605-2654 U.S.A.
Tel : +1-508-753-6600 / Fax : +1-508-753-8276

㉕ **Torishima Pump Mfg. Co., Ltd. North America West Office**
2192 Dupont Drive, Suite 112, Irvine, CA 92612 U.S.A.
Tel : +1-949-379-6141 / Fax : +1-949-379-6181

Central America

㉖ **Torishima Europe Ltd. Mexico Office**
Av Paseo de La Reforma 350, 11th floor, Juárez, Cuauhtémoc, 06600 Ciudad de México, D.F., México
Tel : +52-55-9171-1426 / Fax : +52-55-9171-1499

■ Manufacturing ■ Service Center

CDM

Double Suction Pump (Size : 200 to 700mm)



Horizontal Axially Split Double-Suction Pump

TORISHIMA CDM is designed with the most advanced hydraulics, providing less noise and vibration, wider operating range, lower NPSH. required and higher efficiency. Higher pump efficiency saves energy and reduces life cycle cost.

Applications

Energy industry : Water Intake, Distribution, Boosting, Circulation, Drainage, Fire-Fighting
 General industry : Water Intake, Distribution, Boosting, Circulation, Drainage, Seawater Desalination, Fire-Fighting
 Building : Water Supply, Drainage, District Heating and Cooling
 Water works : Water Intake, Distribution, Water Supply
 Agriculture : Irrigation, Drainage
 Others : Pipe-Line Boosting, etc.

Technical Data

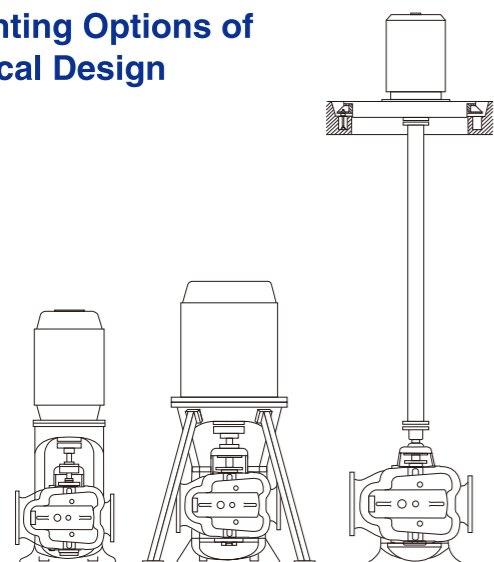
Size : 200 to 700mm (8 to 20 in)
 Capacity : 100 to 6,500m³/h (440 to 28,600U.S.gpm)
 Total head : 3 to 220m (10 to 720ft)
 Temperature : up to 80°C (176°F)

Materials

Torishima's flexible manufacturing policy allows pumps to be produced in a wide range and combination of materials.

Volute casing : Cast Iron, Ductile Cast Iron, Stainless Steel, Duplex Stainless Steel
 Impeller : Bronze, Stainless Steel, Duplex Stainless Steel
 Shaft : Carbon Steel, Chrome-Molybdenum Steel, Stainless Steel, Duplex Stainless Steel
 Shaft Sleeve : Stainless Steel, Duplex Stainless Steel

Mounting Options of Vertical Design



Closed cycle cooling water pump in power station



Cold water booster pumps in air conditioning equipment

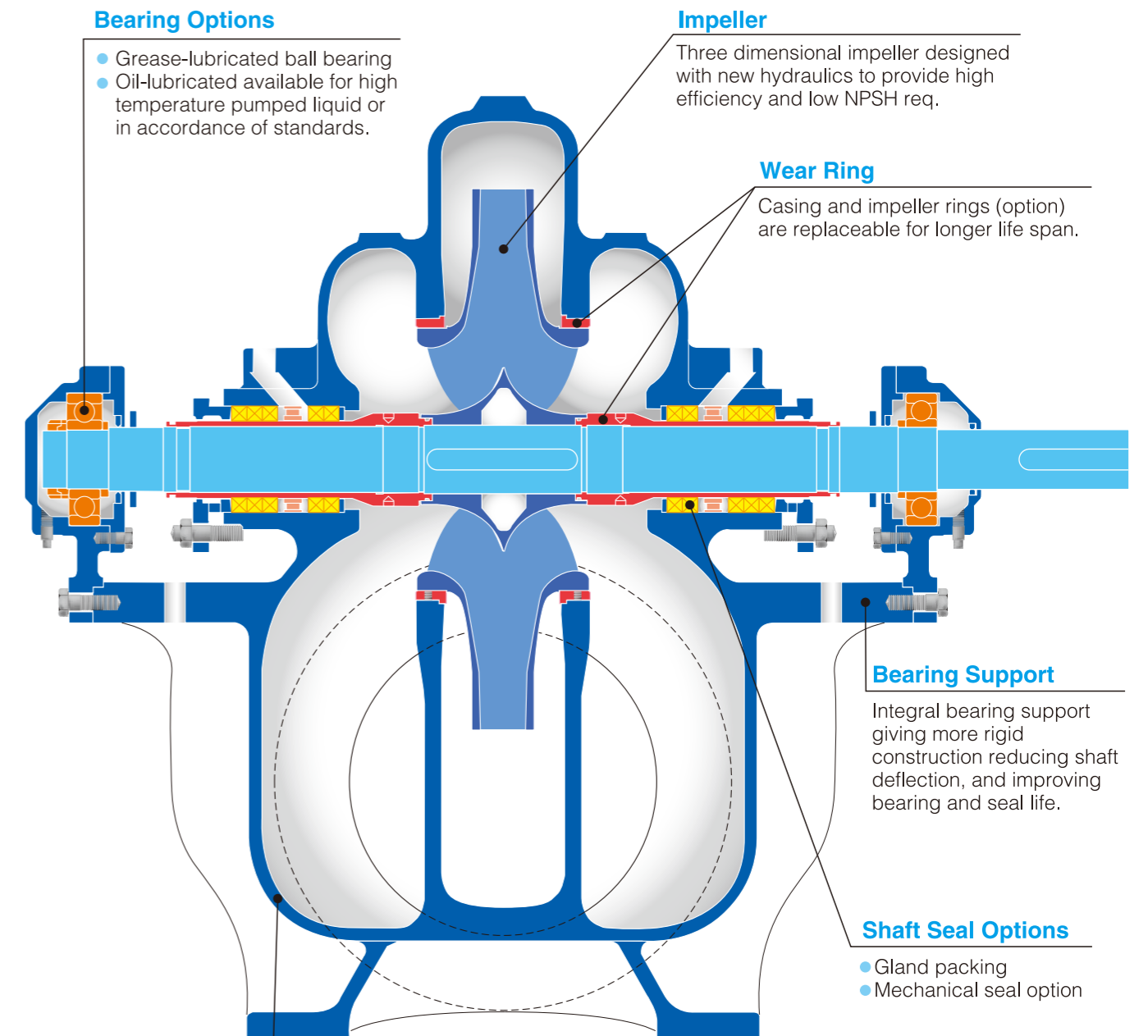


Distribution pumps in water works plant



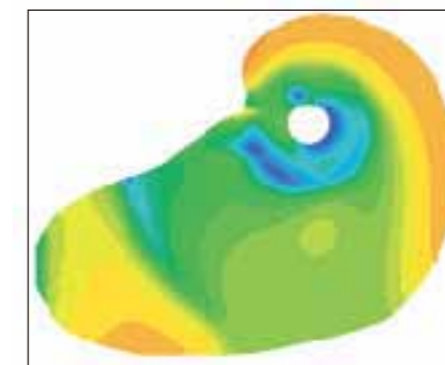
Potable water recirculation pump made of duplex stainless steel for water transmission scheme

COMPACT & HIGH EFFICIENCY DESIGN FOR LOW LIFE CYCLE COST & ENERGY-SAVING

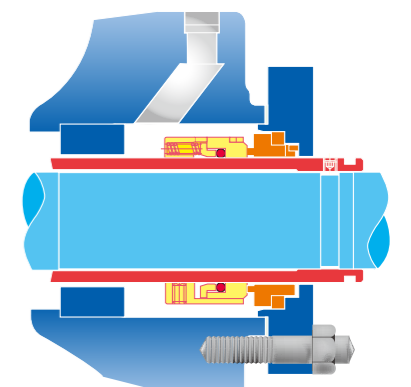


Volute Casing

Designed by FEM analysis resulting in higher efficiency, noise and vibration free operation, over a wider flow range.



Pressure Distribution in a Suction Casing

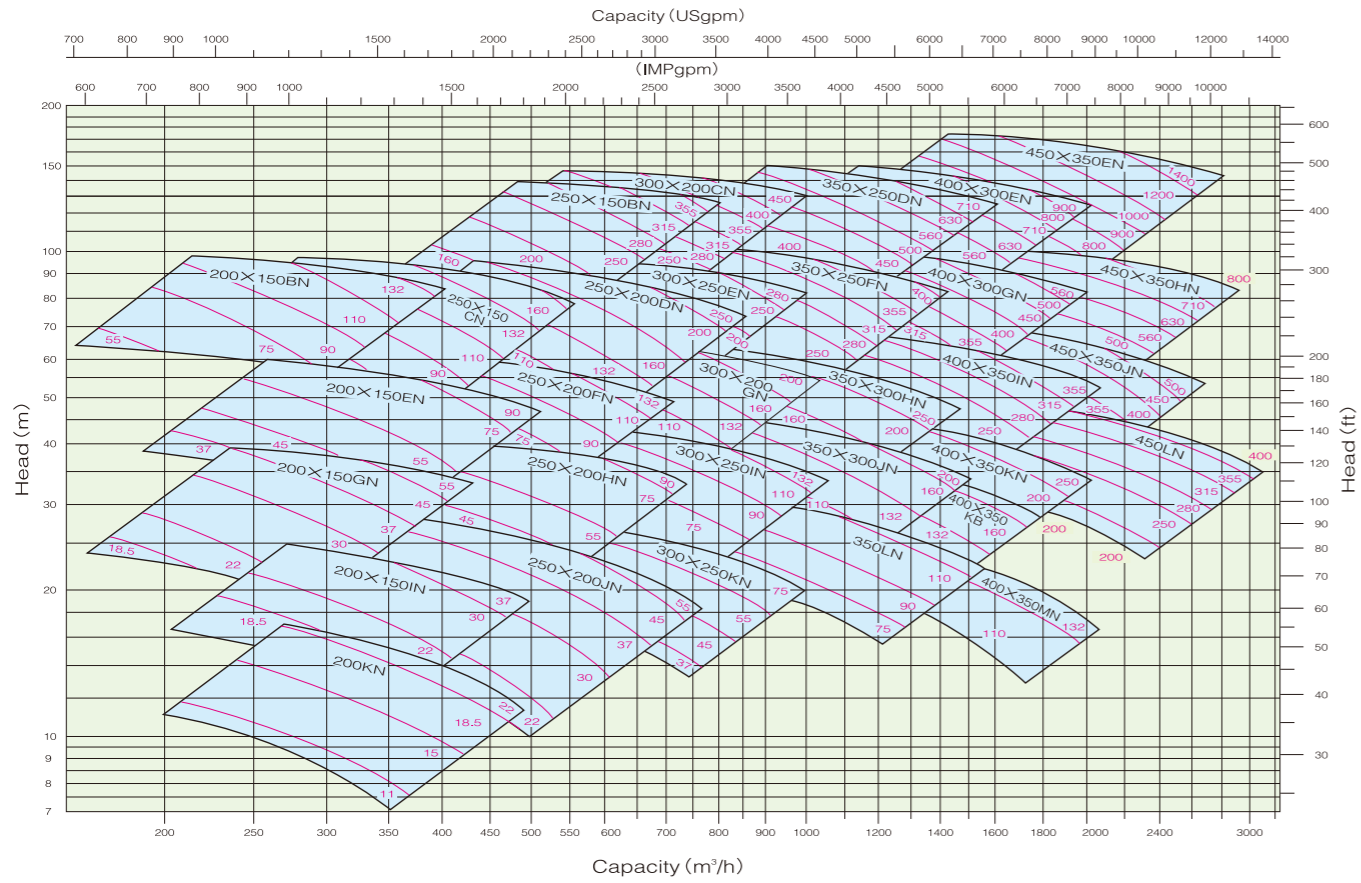


Mechanical Seal

Performance Range

50Hz-4P

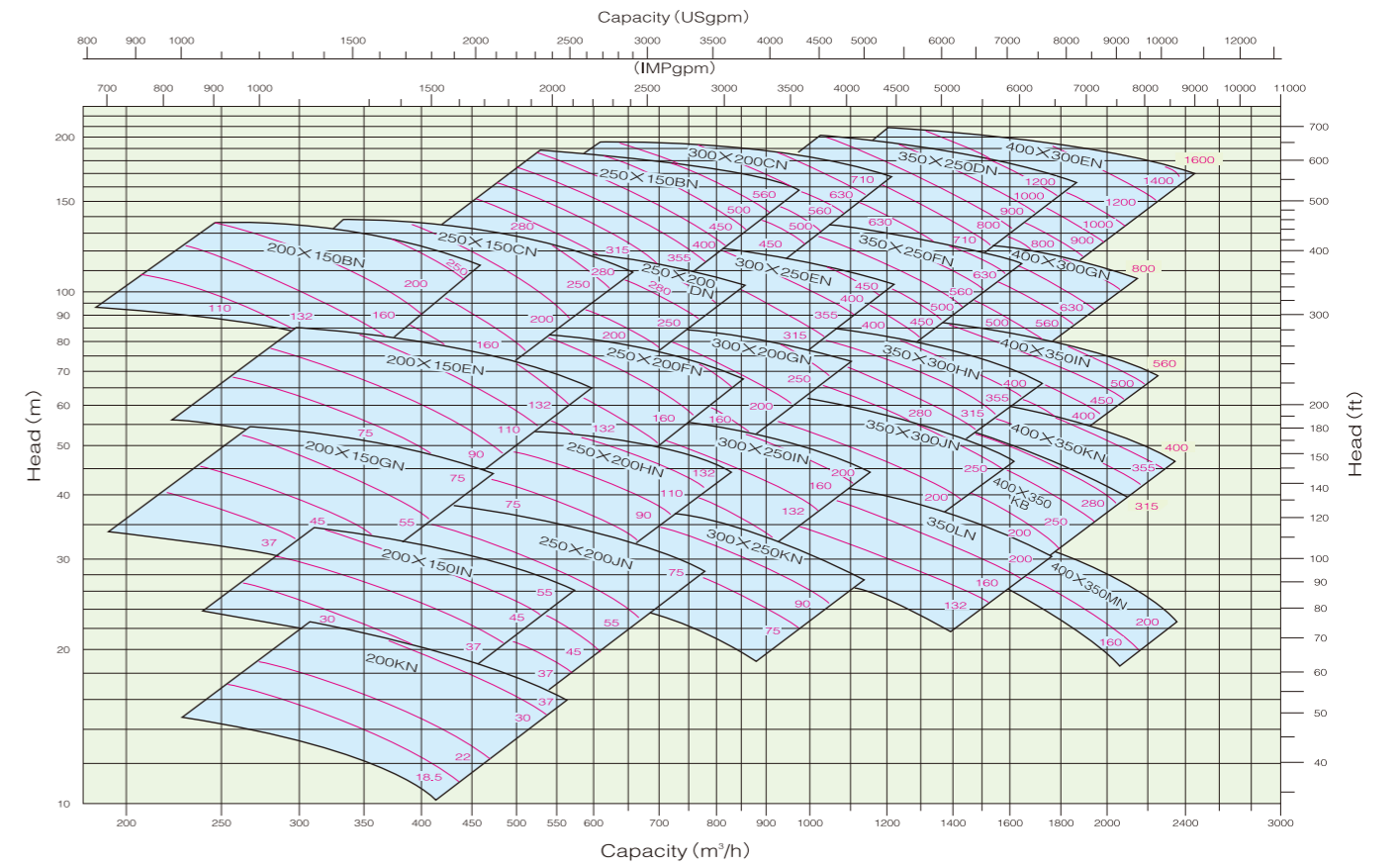
— Black Line - Pump Head
— Pink Line - Motor Rating in kW



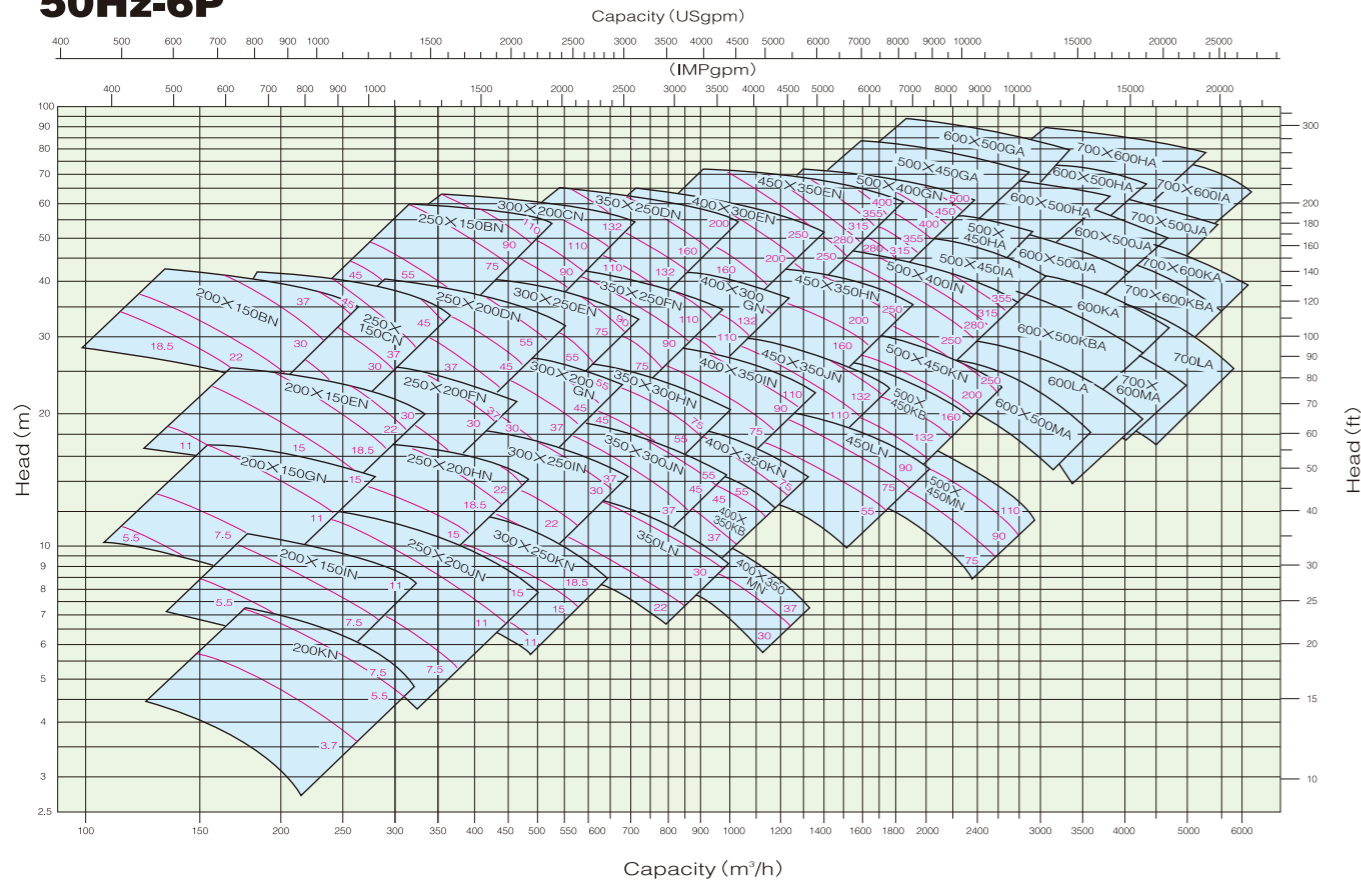
Performance Range

60Hz-4P

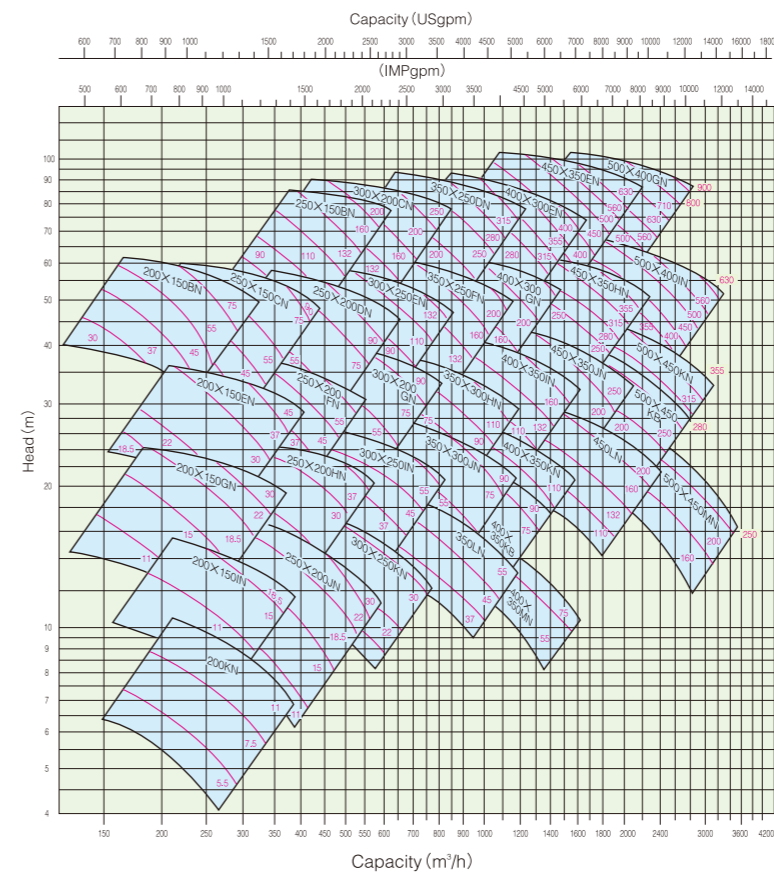
— Black Line - Pump Head
— Pink Line - Motor Rating in kW



50Hz-6P



60Hz-6P



60Hz-8P

