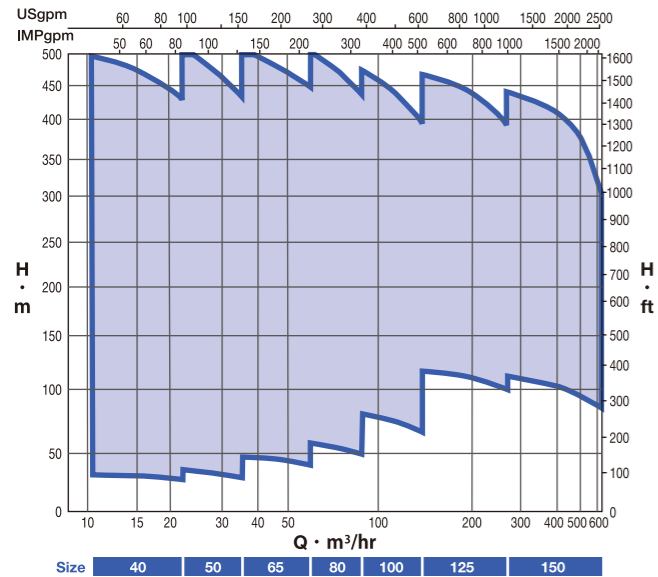


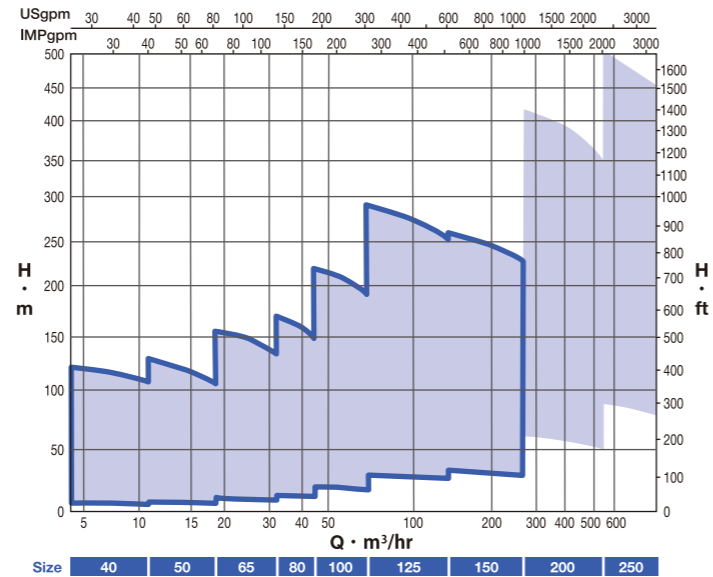
# Performance Range

■ MMK, MML  
 □ MMK-E, MML-E

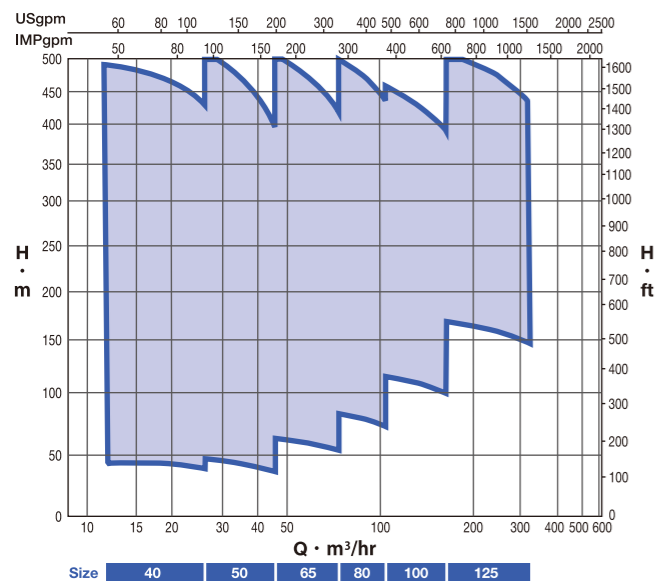
50Hz-2P (3,000min<sup>-1</sup>)



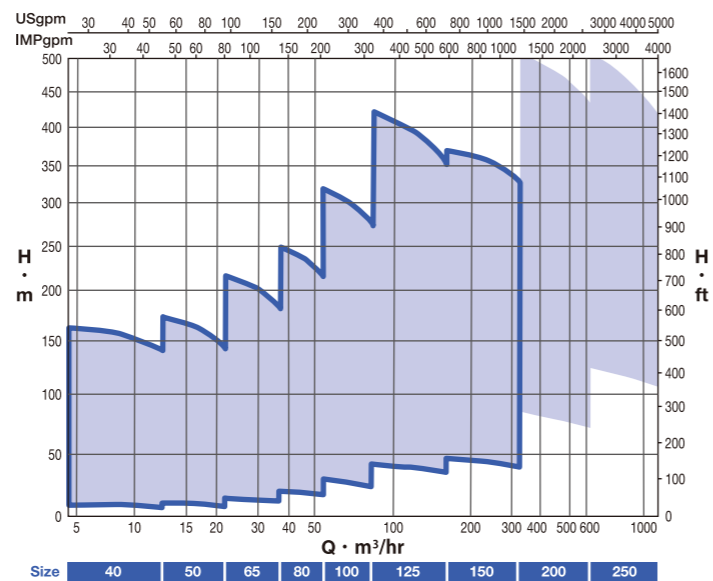
50Hz-4P (1,500min<sup>-1</sup>)



60Hz-2P (3,600min<sup>-1</sup>)



60Hz-4P (1,800min<sup>-1</sup>)



# MMK MML

Horizontal Multistage Ring Section Pump



TORISHIMA PUMP MFG. CO., LTD.

[www.torishima.co.jp/en](http://www.torishima.co.jp/en)  
 Email: [info@torishima.co.jp](mailto:info@torishima.co.jp)

Head Office : 1-1-8, Miyata-cho, Takatsuki City, Osaka, Japan Tel : +81-72-690-2308 Fax : +81-72-690-2329

P47201,P47210,02/3E  
 '14.05.500 ©

 TORISHIMA

# Horizontal Multistage Ring Section Pump

The TORISHIMA MMK and MML designs are horizontal, radially split ring section multistage pumps. The casings are sealed by O-rings and held together by tie bolts. The stage casings and the tie bolts are encased in a steel cladding. The pump can be either foot or centerline mounted depending on the liquid temperature.

## Applications

- Boiler Feed
- Condensate
- Fire-fighting
- District Installations for Pumping Clean Water
- General Water Supply

## Technical Data

Capacity	up to 1,800m <sup>3</sup> /h (7,930USgpm)
Total Head	up to 500m (1,640ft)
Temperature	up to 230°C (446°F)
Max. Pump Suction Pressure	up to 30bar (435psi)
Max. Pump Discharge Pressure	up to 54bar (783psi)
Speed	up to 3,600min <sup>-1</sup>
Size	DN 40 to 250mm (1 <sup>2</sup> / <sub>3</sub> to 10")

## Materials

The pump can be constructed in the following materials: Cast Iron, Cast Steel, Ductile Iron, Stainless Steel, 13% Cr Cast Steel, 18% Cr Cast Steel



Booster pumps in building services application



Boiler feed pumps in district heating and cooling plant



Distributing pumps in a small-capacity water works



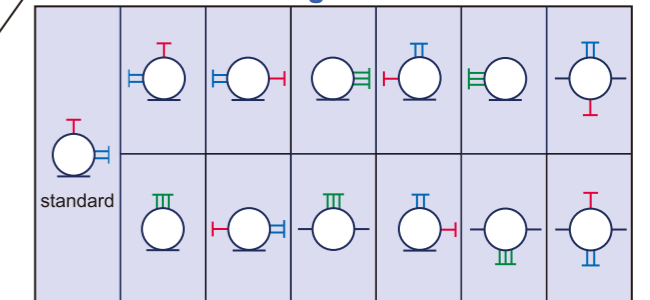
Fire-fighting pump

# Flexible Design to Meet Your Application Requirements

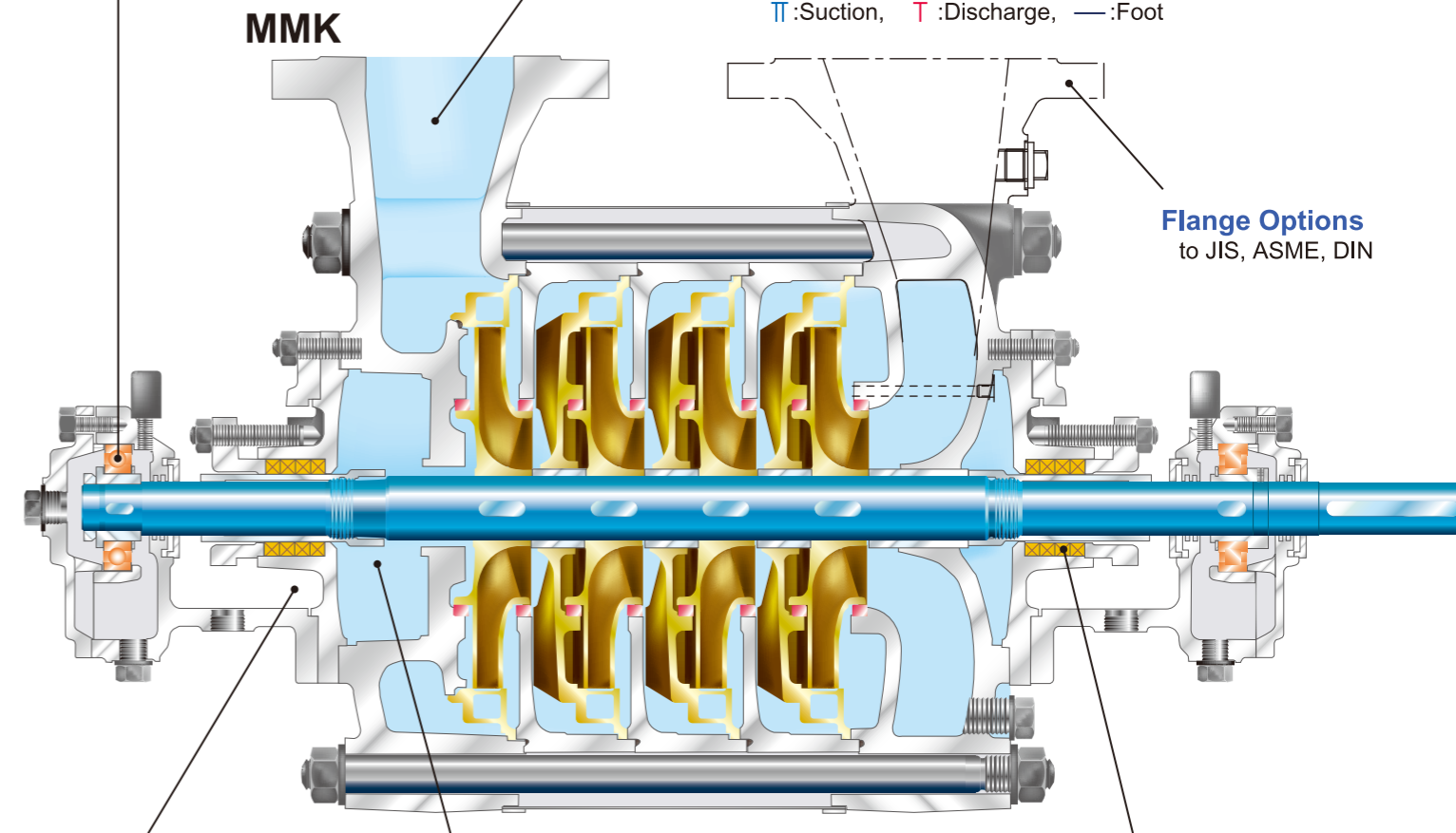
## Bearing Options

- MMK: Roller bearings at the suction end / A ball bearing at the discharge end
- MML: Roller bearings on both ends
- All bearings are fitted with oil level indicator as standard.

## Flexible nozzle design



Nozzle orientation viewed from driver side  
 T : Suction, T : Discharge, — : Foot



## Stuffing Box Options

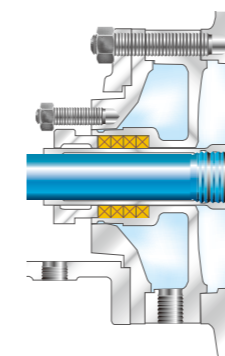
- designed to suit pumped fluid
- Cooled
- Uncooled

## Balancing Device Options

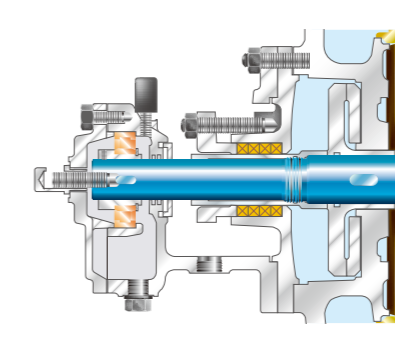
- MMK: Deep groove or angular contact ball bearings + balance holes in impellers
- MML: Balance disk and balance seat

## Shaft Seal Options

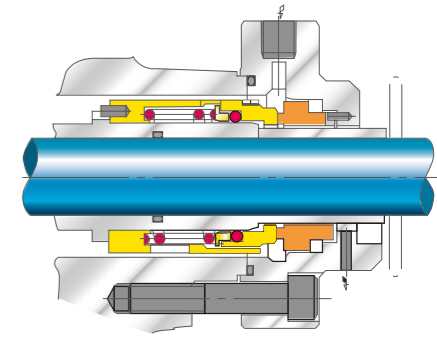
- Gland packing
- Mechanical seal



Cooled stuffing box



MML: Balance disk and seat



Single acting balanced mechanical seal  
 Type: HB2700BNUH

## Balancing Device Recommendation

